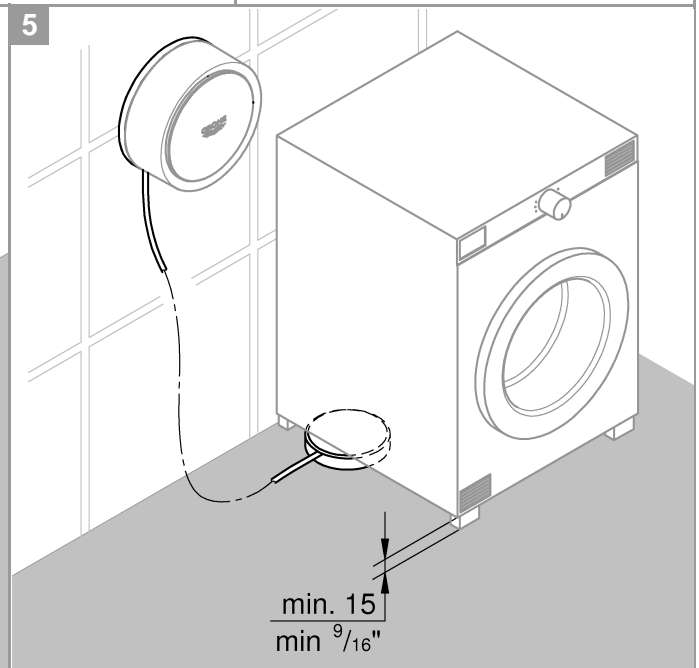
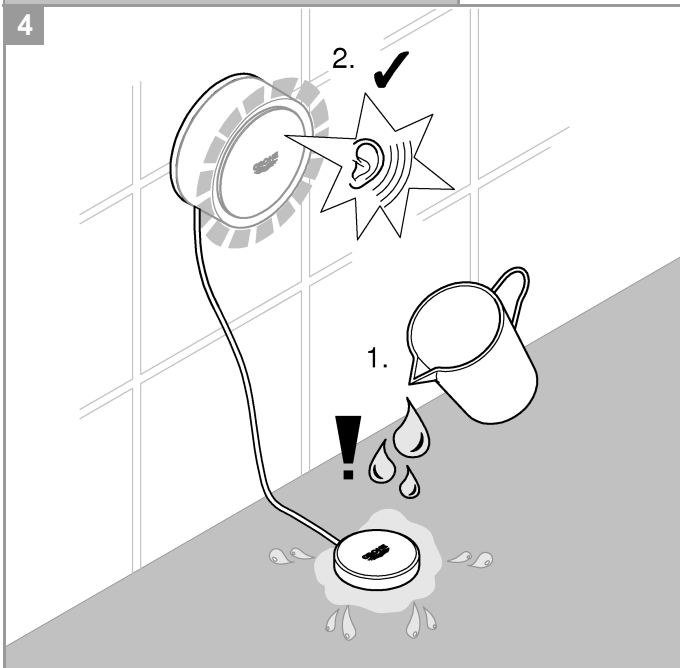
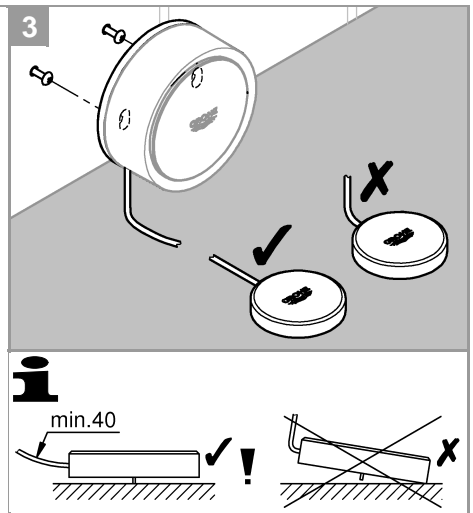
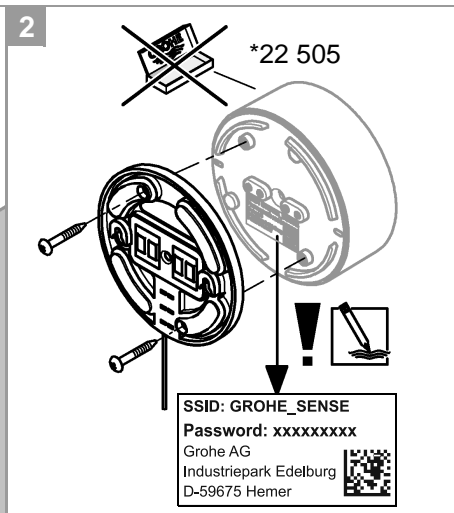
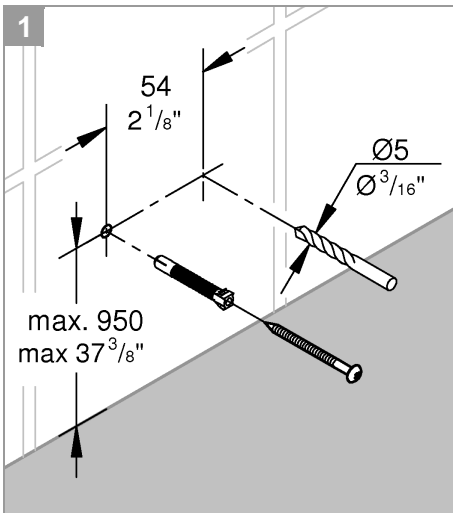
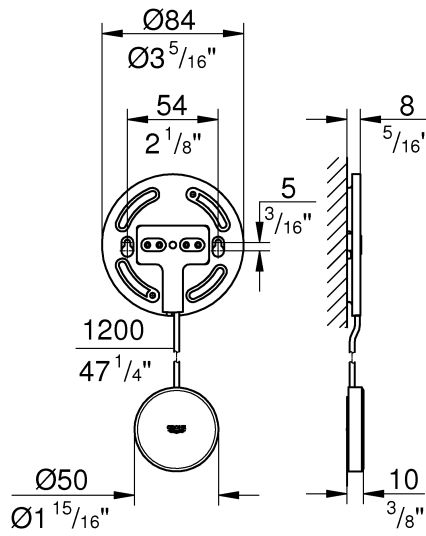




22 506



22 503



Info:

grohesenseguard.grohe.com

data.ondus.grohe.com

privacy-terms.ondus.grohe.com

USA5

F8

E11

Download GROHE ONDUS App:



for iOS

9.0 and above



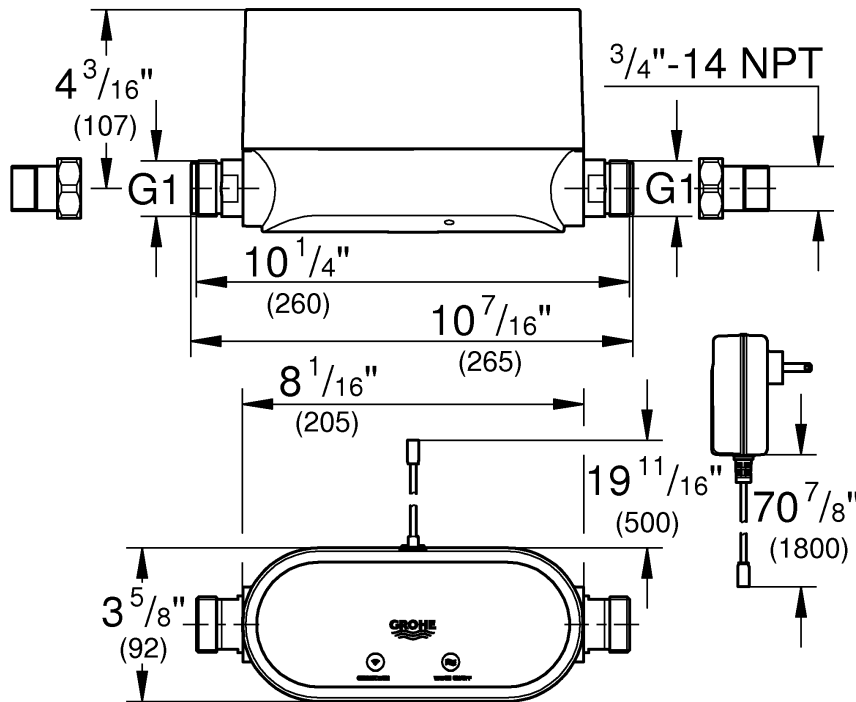
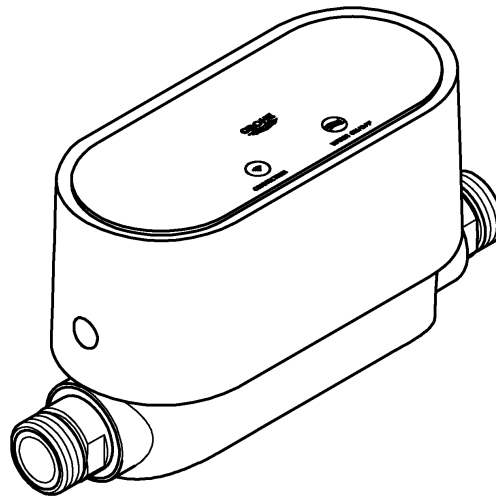
for Android™

4.3 and above

Requirements on the device:

min. 160 dpi pixel density

min. 320x470 pixel resolution



1



1 - 2



2 - 3

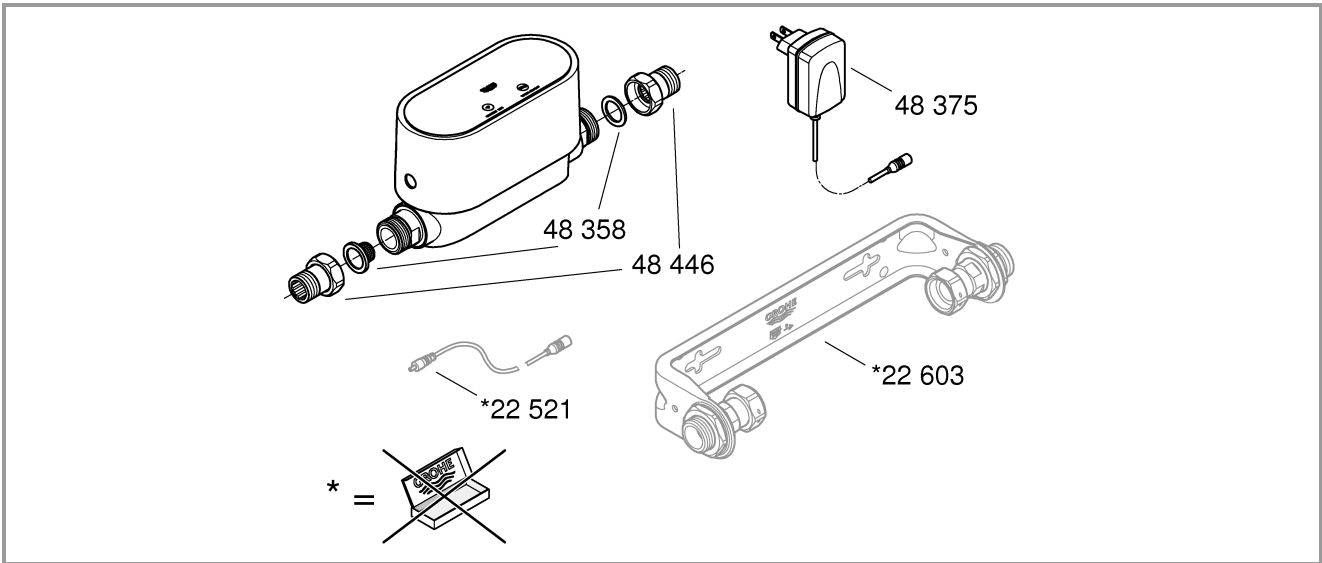



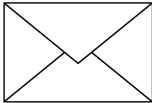
4



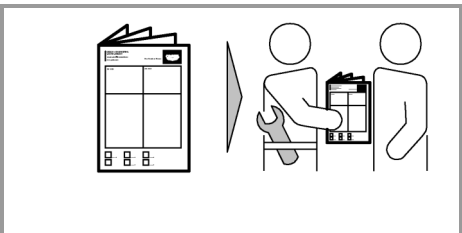
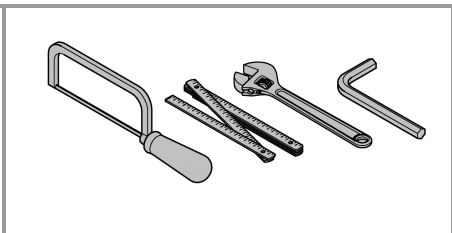
5 - 14





GROHE Deutschland Vertriebs GmbH
Zur Porta 9
D-32457 Porta Westfalica



GROHE Sense Guard
Individual Installation Guide



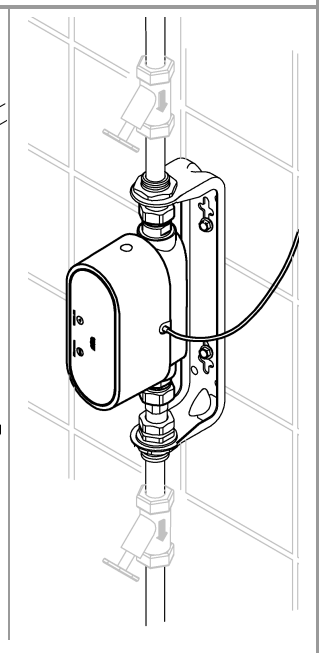
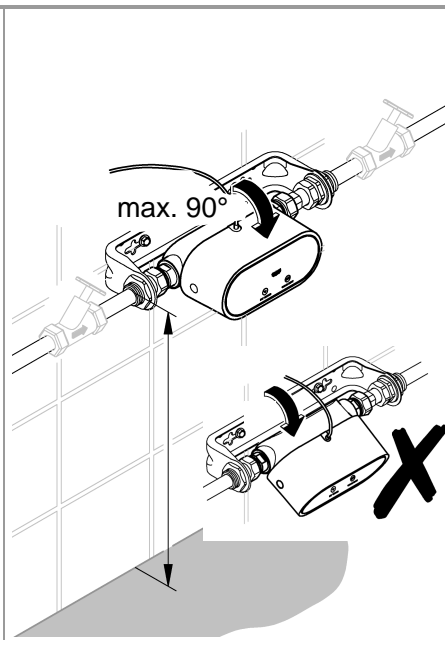
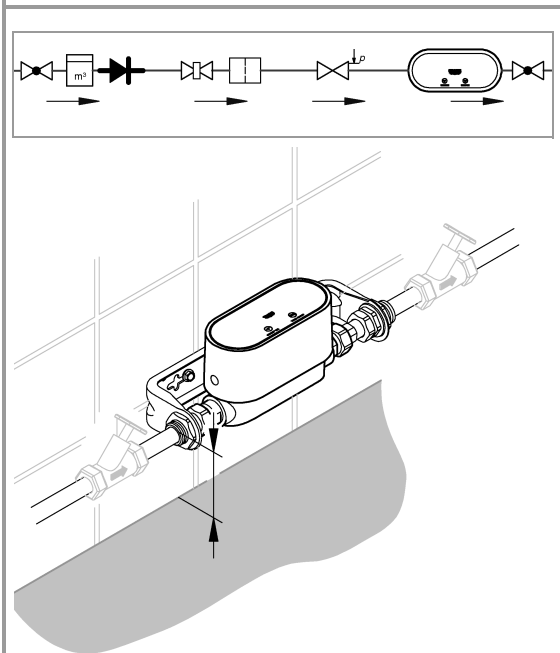
guard-installation.grohe.com

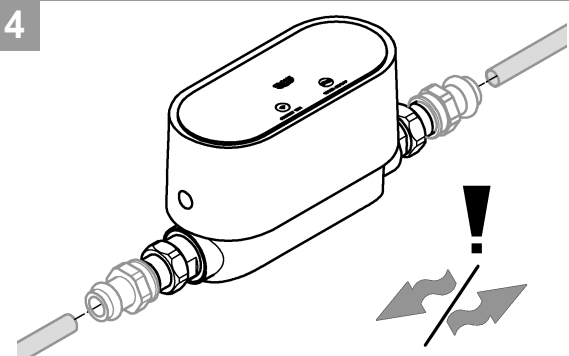
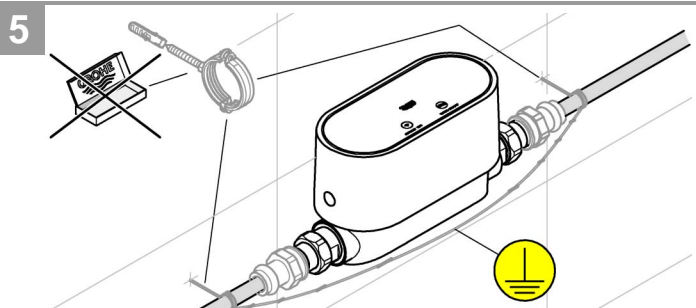
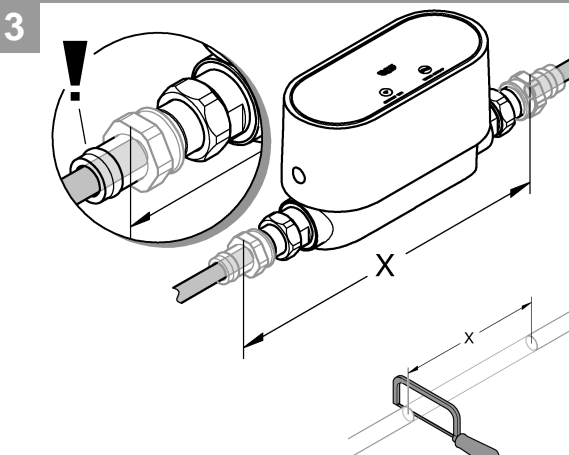
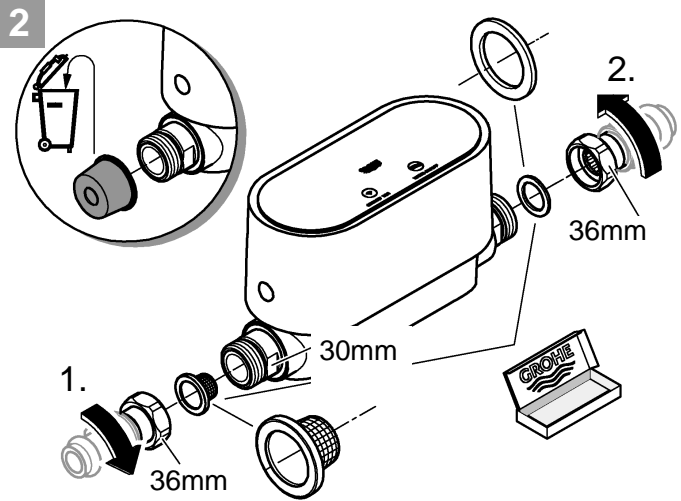
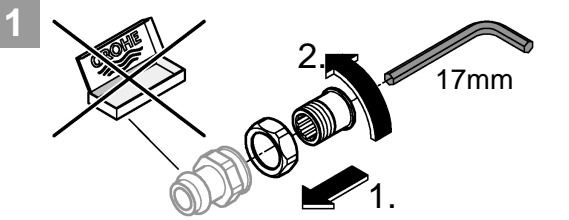
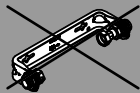
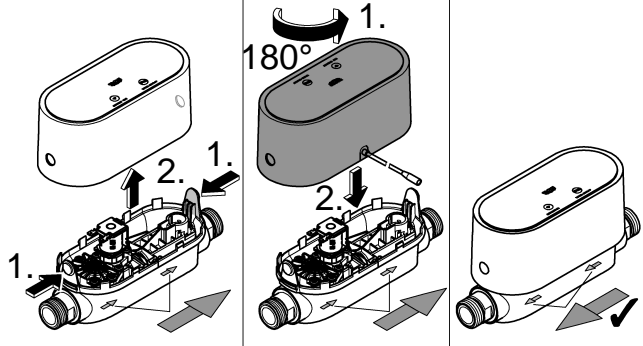
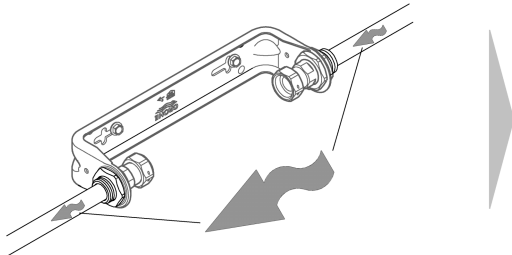
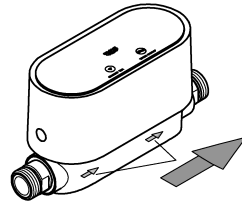
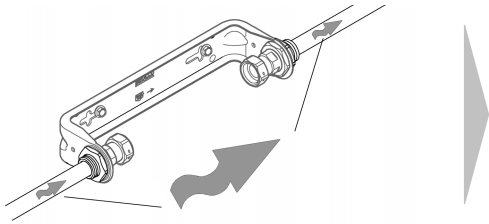
1 CHECK & PLAN

2 CONNECT

3 INSTALL

4 TEST

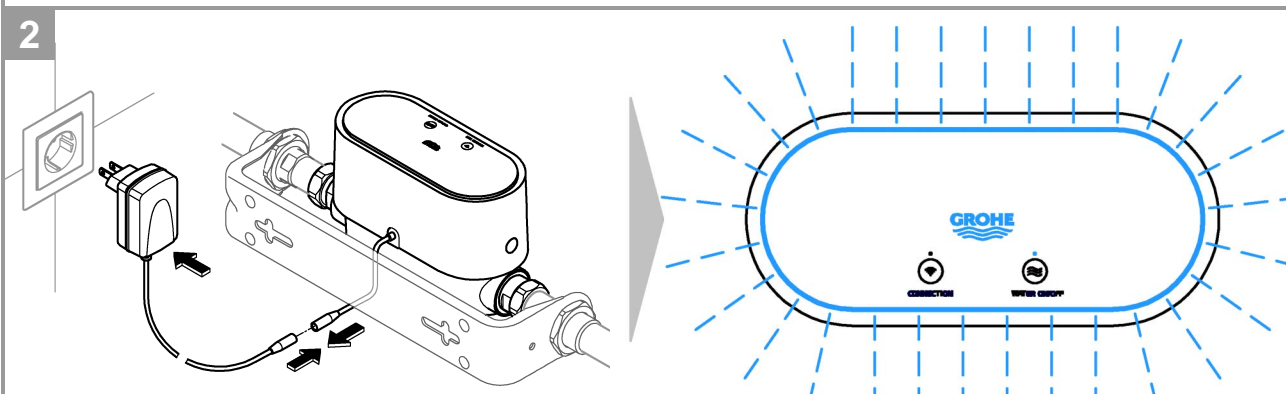
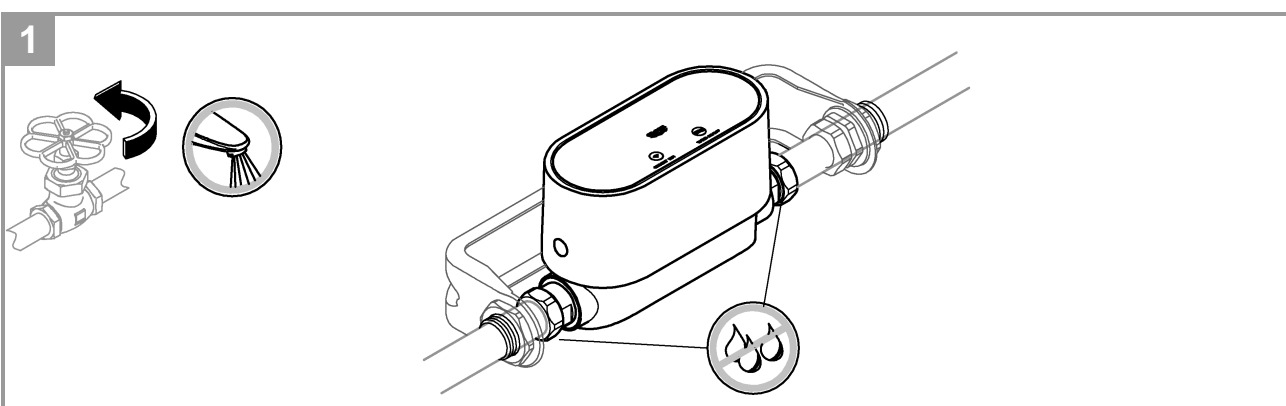
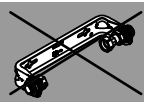
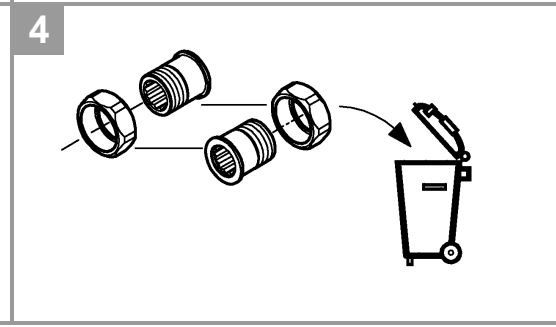
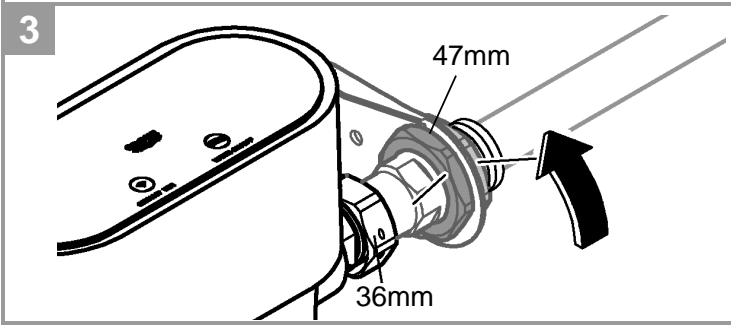
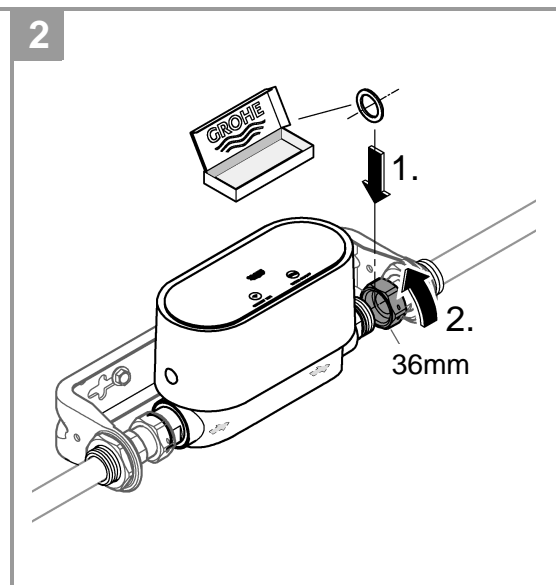
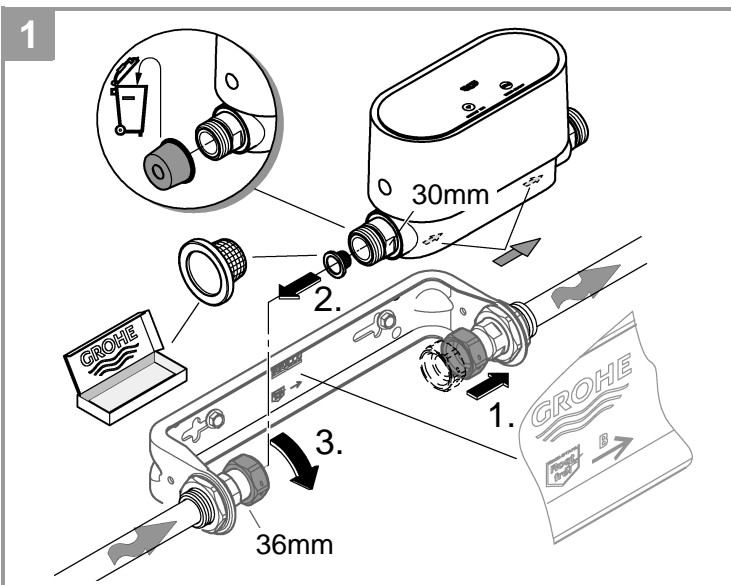
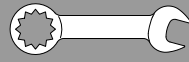


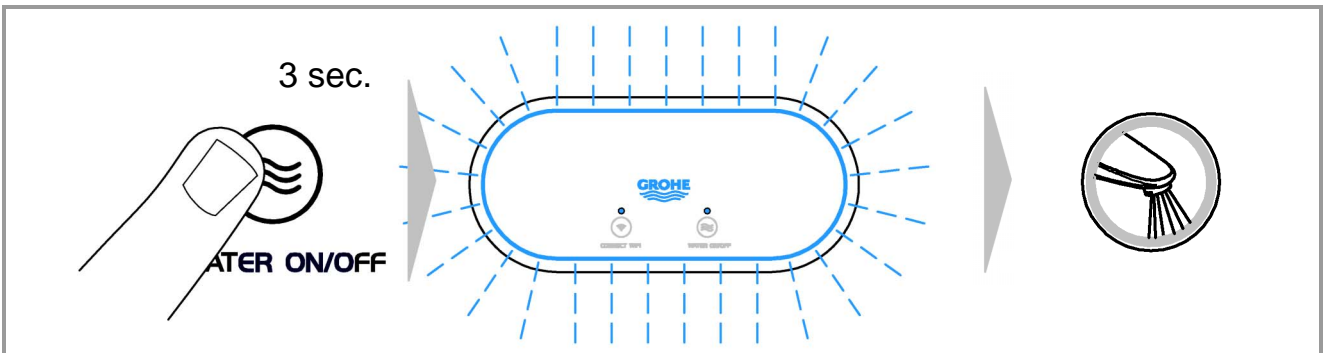
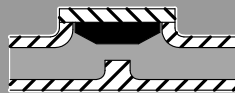
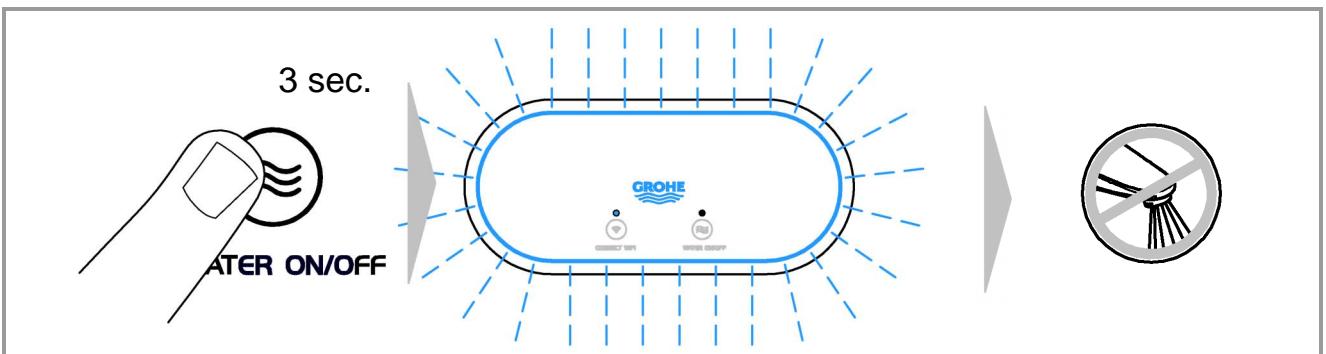
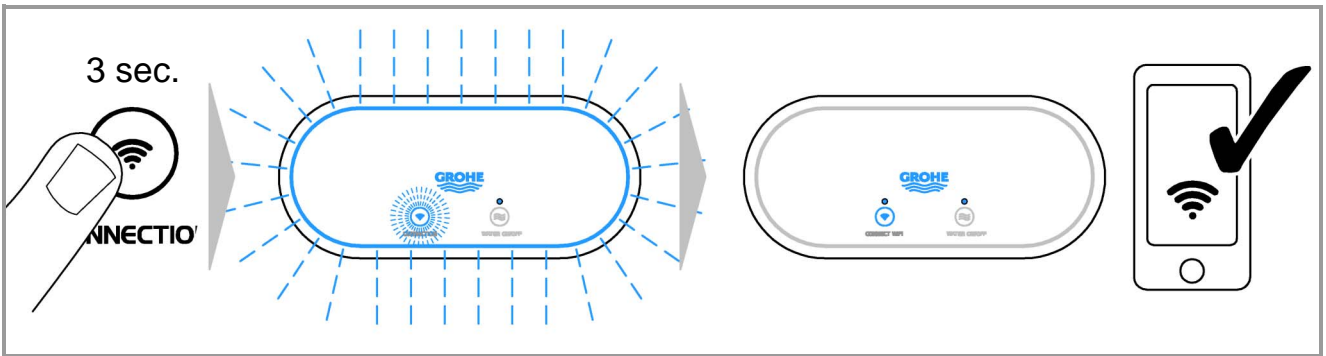
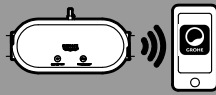


English: A grounding kit (not in the scope of delivery) must be installed on water pipes if they are used to ground electrical systems, appliances or phones.

Français: Un kit de mise à la terre (ne sont pas incluses dans la livraison) doit être installé sur les conduites d'eau si elles sont utilisées pour mettre à la terre des systèmes électriques, des appareils ou des téléphones.

Español: Debe instalarse en las cañerías de agua una conexión de puesta a tierra (no están incluidas en el suministro) si las mismas se usan para poner a tierra sistemas eléctricos, electrodomésticos o teléfonos.





English: Performing a factory reset will change settings to factory conditions. User will have to reconnect phone to device.

Français: Effectuer une réinitialisation d'usine changera les réglages aux conditions d'usine. L'utilisateur devra reconnecter le téléphone à l'appareil.

Español: Al realizar un restablecimiento de fábrica, la configuración cambiará a las condiciones de fábrica. El usuario tendrá que volver a conectar el teléfono al dispositivo.

The system and installation shall comply with applicable national, state and local regulations including in particular applicable standards and regulations for potable water.

All wiring must be performed by a licensed electrician in accordance with the national electrical code and all other applicable codes.

Installation must be carried out by a trained professional installer.

No liability is assumed for damage owing to non-compliance with the operating and installation instructions.



Safety information

Hazard warnings:

- Avoid danger due to damaged connection cables. In the case of damage, the connection cable must be replaced by the manufacturer or its customer service department or an equally qualified person.

General instructions:

- If safety systems, such as fire suppression sprinkler systems are connected to the building's main water supply, for example, the fitment of GROHE Sense Guard is not permitted. If there is leakage protection at the same time that the sprinkler system function is retained, there must be a branching of the supply line upstream of the GROHE Sense Guard.
- In addition to the operating instructions, the recognized rules of engineering and technical rules for safe and professional work must be adhered to.

Instructions on installation:

- Potential equalization must be observed when copper pipes are installed.
- Installation must be carried out by a trained professional installer.
- Prior to installation, the water supply must be shut off.

- By manually triggering the cold water cut-off using GROHE Sense Guard (see page 4) it must be checked after installation whether or not hot water is still leaking from outlets in the house. Leakage can be prevented by using GROHE thermostat fittings.
- The installation and the use of GROHE Sense Guard are subject to applicable national provisions.

Instructions on power supply:

- The valve stays open in the event of power failure.
- The plug-in power supply is only suitable for indoor use.
- The plug-in connectors must **not** be directly or indirectly sprayed with water when cleaning.
- The voltage supply must be able to be switched on/off separately.

Instructions on operation:

- It is REQUIRED to install a house filter and/or y-strainer upstream of GROHE Sense Guard to collect excessive debris from water supply entering household. Installation of filter and/or Y-strainer will prevent excessive debris from clogging screen on inlet of device. In case of no water filter or Y-strainer, Grohe requires regular cleaning of the screen in order to prevent lower water pressure due to screen clogs.
- Screen must be installed at the inlet of the GROHE Sense Guard in order to prevent damage to the solenoid valve inside. Failure to install the screen will result in losing warranty.
- The water to be used must comply with the Drinking Water Regulations in USA, Canada and Mexico. Before using with water of a different quality or containing additives, the manufacturer must be consulted.
- GROHE Sense Guard may only be used as outlined in the operating instructions. Any other usage or usage extending beyond that described is deemed improper use.

- GROHE Sense Guard must only be used in good order and condition, as intended, and with safety and hazard awareness by adhering to the operating instructions.
- Malfunctions must be immediately remedied.
- Use **only original spare parts and accessories**. The use of other parts will void the warranty and the cTÜVus, cUPC and NSF marking, and could cause injury.

Software and internet connection:

- In order to ensure operation as a fully-functioning device, both the smartphone used and the GROHE Sense Guard must be connected to the internet and the device must be successfully installed with the GROHE ONDUS app beforehand. Otherwise, the device is not configured and no warning messages can be given. GROHE takes all necessary measures to ensure safe and correct use. In the event of a malicious attack by third parties, GROHE advises to install the latest firmware and/or disconnect the device from the power supply grid until you receive further information from GROHE.

Intended use

GROHE Sense Guard is suitable for use in cold potable water up to a maximum water temperature of 104 °F (40 °C).

GROHE Sense Guard is only permitted to be installed in potable water installations for detached houses and flats that have separate water supply lines.

The GROHE Sense Guard meets the requirements of IAPMO IGC 349-2017.

Compliance statement (part 15.19)

This device complies with part 15 of the FCC Rules and with Industry Canada licence-exempt RSS standard(s).

Operation is subject to the following two conditions: (1) This device may not cause harmful interference, and (2) this device must accept any interference received, including interference that may cause undesired operation.

Warning (part 15.21)

Changes or modifications not expressly approved by the party responsible for compliance could void the user's authority to operate the equipment.

RF Exposure (OET Bulletin 65)

To comply with FCC RF exposure requirements for mobile transmitting devices, this transmitter should only be used or installed at locations where there is at least 7 7/8" (20cm) separation distance between the antenna and all persons.

Information to the User (Part 15.105 (b))

Note: This equipment has been tested and found to comply with the limits for a Class B digital device, pursuant to part 15 of the FCC Rules. These limits are designed to provide reasonable protection against harmful interference in a residential installation. This equipment generates, uses and can radiate radio frequency energy and, if not installed and used in accordance with the instructions, may cause harmful interference to radio communications. However, there is no guarantee that interference will not occur in a particular installation.

If this equipment does cause harmful interference to radio or television reception, which can be determined by turning the equipment off and on, the user is encouraged to try to correct the interference by one or more of the following measures:

- Reorient or relocate the receiving antenna.
- Increase the separation between the equipment and receiver.
- Connect the equipment into an outlet on a circuit different from that to which the receiver is connected.
- Consult the dealer or an experienced radio/TV technician for help.

GROHE ONDUS app and connection to the internet

GROHE Sense Guard connected to the internet via WLAN can be integrated and configured in the GROHE ONDUS app. This app can be used to provide warnings and alarms in the form of push notifications.

A WLAN router with internet access

(2.4 GHz, IEEE 802.11b/g/n) is required.

Only WLAN channels 1 – 11 can be used.

Installation of the app:

Apple:

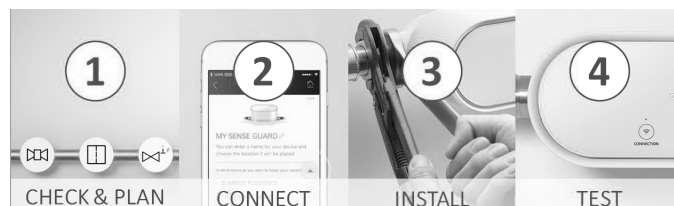


Android:



If the app or the device firmware requires updating, the smartphone must be located in the immediate vicinity of the GROHE Sense Guard. In this way, possible interruptions in function can be controlled and rectified.

Installation



Prior to installation, go through the individual installation guide and read the instructions in full!

Guide for the individual planning of the installation:



guard-
installation.
grohe.com

Complete operating instructions and other technical information:



www.grohe.com/
tqi/sense-guard

Installation, see page 2 or 3

Prior to installation, the water supply must be shut off.

In the case that other pressure effective devices are installed at the premises it is required that the GROHE Sense Guard is installed downstream of those devices.

Pressure effective devices could include but are not limited to pressure reducers, booster pumps or water softeners.

Failure to comply with the above recommendation may adversely affect the microleakage measurement of the GROHE Sense Guard.

GROHE recommends fitting GROHE Sense Guard in combination with bracket 22 603, available in the GROHE product range.

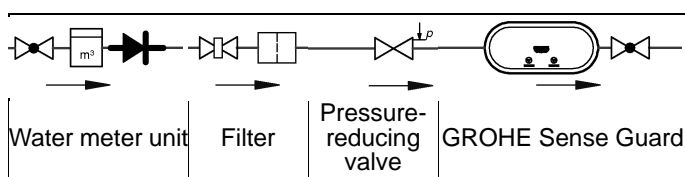
It is essential that the provided screen and seal are used, see page 2, Fig. [1] and page 3, Fig. [1] and [2]. The use of other materials, such as hemp, will result in leakage.

Observe the prescribed sequence when fastening the nuts. See page 3, Fig. [1] to [3].

Observe the correct installation position.

Before and after the GROHE Sense Guard, a shut-off valve must be installed.

If further components are installed, please note the correct installation position:



For further components like water softener please observe the special notes in GROHE Sense Guard Individual Installation Guide. Leakage protection is provided as soon as GROHE Sense Guard is connected to the power supply. If the GROHE Sense Guard does not have a power supply, it cannot shut off the water supply.

Applications

The GROHE Sense Guard constantly checks water consumption, flow rate and temperature and stores collected data on the device and in online storage (GROHE Ondus cloud).

Through constant monitoring, leakages are detected in good time and water damage can be reduced by using automatic shut-off or smartphone warnings.

A 100% protection against water damage cannot be guaranteed for system-related reasons.

GROHE Sense Guard detects everyday water consumption and saves this as consumption data. On this basis GROHE Sense Guard responds to unusual situations.

There are many types of possible deviations:

- Pipe burst: an excessively large amount of water flows through the GROHE Sense Guard. The water supply is immediately shut off and a push notification is sent to the connected smartphone.
- Unusual water consumption: if a lot of water is taken in one discharge operation or there are small flow rates over several hours, a push notification is sent to the connected smartphone. In addition, the consumption is constantly measured and additional tests are carried out several times each day.
- Micro leakage: minute quantities of water leak out and a push message is sent to the interconnected smartphone. The micro-leakage test is carried out once every 24 hours. In the event that the measurement could not be completely carried out multiple times, a notification is likewise sent. The results of the measurement may be influenced by the characteristics of the pipe system or overlapped tapping processes.

The speed of detection depends on the previous consumption behaviour of the household, the length and type of the pipe system and the water flow rate and pressure.

In order to increase the detection speed of the leaks, a flood sensor (available in the GROHE product range) can additionally be used. If water flooding is detected, this sends an optical or acoustic alarm signal and sends a message of the detected event to the GROHE ONDUS app and GROHE Sense Guard, following which the water supply is automatically shut off. It must be ensured that both devices have a stable internet connection.

Operating conditions

Interference sources

The transmitter/receiver unit operates in the ISM frequency band (2.4 GHz). Installation in proximity to devices with the same frequency band (e.g. WLAN devices, HF components, etc. [observe manufacturer documentation!]) should be avoided.

Obstructions/barriers

Wireless reception can be impaired and interrupted under unfavourable surrounding conditions, in buildings/rooms with reinforced concrete walls, steel and iron frames or in proximity to obstacles (e.g. furniture) made of metal. Where necessary, a WLAN repeater must be connected to the main router in order to increase the range of the radio signal.

Technical data

- Flow pressure: min. 7.25 psi / recommended: 14.5 – 72.5 psi
- Operating pressure: max. 145 psi
- Test pressure: 232 psi
- Flow rate: 0.5–22.5 gpm
- Water temperature: 37 °F – 104 °F
- Ambient temperature: 37 °F – 104 °F
- Voltage supply: DC 12 V 2.5 A
- Power consumption: 30 W

A pressure-reducing valve must be fitted in the supply line if static pressures exceeds 72.5 psi to satisfy noise level ratings.



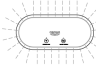
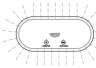
Electrical test data

- Software class: A
- Contamination class: 2
- Rated surge voltage: 2,500 V
- Temperature for ball impact test: 212 °F

The test for electromagnetic compatibility (interference emission test) was performed at the rated voltage and rated current.

Operating states

The light on the GROHE Sense Guard signals the current operating state:

	LED	Meaning
	Blue	- No leakage - Solenoid valve open - System status normal
	Off	- Solenoid valve closed
	Blue (flashing)	WLAN connection is being established (hotspot)
	Blue	WLAN connected (connection to cloud available)
	Orange (flashing)	Cloud connection interrupted
	Green	Installing update
	Red	Error detected (see FAQs table on the website)

Function test

It is recommended that a function test be carried out once every six months.

guard-installation.grohe.com/test

Cleaning and maintenance

Screen and seal, order number 48 358, see page 1 and page 3, Fig. 1–3.

Disposal note



This category of device does **not** belong in domestic waste, but **must** be disposed of separately in accordance with the relevant national regulations.

The manufacturer assumes no liability for any incidental, consequential, special, punitive, or exemplary damages from the use of this product.

F

Le système et l'installation doivent être conformes aux réglementations nationales, nationales et locales applicables, en particulier aux normes et réglementations applicables en matière d'eau potable.

Tout le câblage doit être effectué par un électricien agréé conformément au code national de l'électricité et à tous les autres codes applicables. L'installation doit être confiée à un installateur spécialisé qualifié.

Nous déclinons toute responsabilité en cas de dommages résultant du non-respect des consignes et installations.



Consignes de sécurité

Avertissements de dangers :

- Éviter les dangers que peut présenter un câble de raccordement endommagé. En cas d'endommagement, faire remplacer le câble de raccordement par le fabricant, son service après-vente ou une personne disposant des mêmes qualifications.

Remarques générales :

- Si un équipement technique de sécurité, par ex. un dispositif de lutte contre l'incendie de type sprinkler, est relié à l'alimentation principale en eau du domicile, GROHE Sense Guard ne doit pas être installé. Si la fonction de détection des fuites et la fonction d'arrosage sont toutes deux nécessaires, une dérivation doit être réalisée sur la conduite d'amenée, avant GROHE Sense Guard.

- Il convient d'observer les indications du mode d'emploi, les règles de l'art en vigueur, ainsi que les règles techniques en matière de sécurité au travail.

Remarques concernant l'installation :

- L'égalisation de potentiel doit être observée lorsque des tuyaux de cuivre sont installés.
- L'installation doit impérativement s'effectuer dans un endroit à l'abri du gel.
- L'alimentation en eau doit être coupée avant de procéder à l'installation.
- En raison la fermeture manuelle du robinet d'arrêt d'eau froide à l'aide du GROHE Sense Guard (voir page 4), il est nécessaire de vérifier si l'eau chaude s'écoule encore aux points de puisage de la maison après l'installation. L'utilisation de mitigeurs thermostatiques GROHE permet d'éviter tout écoulement.
- L'installation et l'utilisation du GROHE Sense Guard sont soumises aux dispositions nationales en vigueur.

Remarques concernant l'alimentation électrique :

- En cas de panne de courant, la vanne reste ouverte.
- L'adaptateur secteur ne doit être utilisé que dans des locaux fermés.
- La fiche de raccordement ne doit **en aucun cas** être exposée aux éclaboussures d'eau directes ou indirectes.
- L'alimentation électrique doit disposer d'un interrupteur séparé.

Remarques concernant le fonctionnement :

- Il est OBLIGATOIRE d'installer un filtre à eau domestique / ou une crépine y en amont de la GROHE Sense Guard pour recueillir les débris excessifs de l'approvisionnement en eau entrant dans le ménage. L'installation du filtre à eau domestique / ou de la crépine en Y empêchera les débris excessifs de colmater l'écran à l'entrée de l'appareil. En cas d'absence de filtre à eau ou de filtre Y, Grohe nécessite un nettoyage régulier de l'écran afin d'éviter une pression d'eau plus faible due aux obstructions de l'écran.
- L'écran doit être installé à l'entrée de la GROHE Sense Guard afin d'éviter d'endommager l'électrovanne à l'intérieur de la GROHE Sense Guard. Le défaut d'installer l'écran annulera la garantie.
- L'eau qui sera utilisée doit être conforme aux spécifications de la directive USA, Canada et Mexico sur l'eau potable. Avant d'utiliser une eau d'une qualité différente ou une eau contenant des adjuvants, une concertation avec le fabricant est indispensable.
- GROHE Sense Guard doit être impérativement utilisé conformément aux indications du mode d'emploi. Toute utilisation contraire aux indications du mode d'emploi sera considérée comme non conforme.
- Pendant son utilisation, GROHE Sense Guard doit être en parfait état de

fonctionnement et doit être manipulé selon le mode d'emploi, en tenant également compte de la réglementation, des conditions de sécurité et des dangers potentiels.

- Résoudre sans attendre les pannes fonctionnelles.
- N'utiliser que des **pièces de rechange et accessoires d'origine**. L'utilisation d'autres pièces entraîne automatiquement l'annulation de la garantie et du label cTÜVus, cUPC et NSF et peut causer des blessures.

Remarques relatives au logiciel et à la connexion Internet :

- Toutes les fonctionnalités de l'appareil ne sont garanties que si le smartphone utilisé et GROHE Sense Guard sont connectés à Internet et si l'appareil a été installé préalablement avec l'application GROHE ONDUS. Dans le cas contraire, l'appareil n'est pas configuré et aucun message d'avertissement ne peut être envoyé. GROHE met tout en œuvre pour garantir une utilisation sûre et adaptée. En cas d'intervention malveillante par un tiers (piratage), GROHE recommande d'installer la dernière mise à jour du micrologiciel et/ou de débrancher l'appareil jusqu'à ce que GROHE vous communique la procédure à suivre.

Utilisation conforme

GROHE Sense Guard est conçu pour être utilisé dans de l'eau potable froide jusqu'à une température maximale de l'eau de 40 °C.

GROHE Sense Guard doit être installé exclusivement pour des installations d'eau potable dans des maisons individuelles et appartements disposant d'une conduite d'arrivée d'eau indépendante.

GROHE Sense Guard est conforme aux spécifications IAPMO IGC 349-2017.

Déclaration de conformité (partie 15.19)

Le présent appareil est conforme aux CNR d'Industrie Canada applicables aux appareils radio exempts de licence.

L'exploitation est autorisée aux deux conditions suivantes:

(1) l'appareil ne doit pas produire de brouillage, et (2) l'utilisateur de l'appareil doit accepter tout brouillage radioélectrique subi, même si le brouillage est susceptible d'en compromettre le fonctionnement.

Avertissement (partie 15.21)

Tout changement ou toute modification qui ne serait pas approuvé expressément par la partie responsable de la conformité peut annuler l'autorisation d'utilisation de l'équipement de l'utilisateur.

Application GROHE ONDUS et connexion à Internet

Lorsque GROHE Sense Guard est connecté à Internet via un réseau sans fil, il est possible de l'intégrer à l'application GROHE ONDUS et de l'y configurer. Cette application permet de recevoir des avertissements et des alarmes sous la forme de notifications push.

Un routeur WLAN avec un accès Internet (2,4 GHz, IEEE 802.11b/g/n) est nécessaire.

Seuls les canaux WLAN 1 à 11 peuvent être utilisés.

Installation de l'application :

Apple :



Android :



Lorsqu'une mise à jour de l'application ou du micrologiciel de l'appareil est nécessaire, le smartphone doit se trouver à proximité immédiate de GROHE Sense Guard. Cela permet de vérifier qu'aucun dysfonctionnement ne se produit, et de résoudre les problèmes le cas échéant.

Installation



Avant l'installation, exécuter le guide d'installation individuel et lire la notice en intégralité !

Guide pour la planification individuelle de l'installation :



guard-installation.grohe.com

Des instructions complètes ainsi que des indications techniques détaillées :



www.grohe.com/tpi/sense-guard

Installation, voir page 2 ou 3

L'alimentation en eau doit être coupée avant de procéder à l'installation.

Si d'autres filtres ou systèmes de pression sont utilisés dans la maison, ceux-ci doivent être installés avant GROHE Sense Guard.

Ces systèmes peuvent inclure notamment des réducteurs de pression, des surpresseurs ou des adoucisseurs d'eau.

Le non-respect de ces recommandations peut perturber la mesure de micro-fuites par GROHE Sense Guard.

GROHE recommande de monter GROHE Sense Guard en combinaison avec le support 22 603, disponible dans la gamme de produits GROHE.

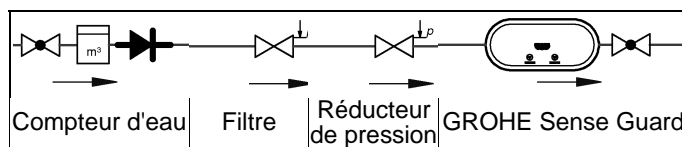
Il est obligatoire d'utiliser le filtre et le joint fournis, voir page 2, fig. [1] ou page 3, fig. [1] et [2]. L'utilisation d'autres matériaux, tels que de la filasse de chanvre, entraîne un défaut d'étanchéité.

Pour fixer les écrous, respecter l'ordre prescrit à la page 3, fig. [1] à [3].

Respecter impérativement le sens de montage.

Avant et après le GROHE Sense Guard, une robinet d'arrêt doit être installée.

Si d'autres composants sont installés, respecter l'ordre de montage des autres composants :



Pour d'autres composants tels que l'adoucisseur d'eau, veuillez respecter les remarques spéciales de GROHE Sense Guard Individual Installation Guide pour la planification.

Dès que GROHE Sense Guard est raccordé à l'alimentation réseau, la fonction de détection des fuites est opérationnelle. Si GROHE Sense Guard n'est pas sous tension, il ne peut pas arrêter l'alimentation en eau.

Domaine d'application

GROHE Sense Guard surveille continuellement la pression, le débit et la température de l'eau et enregistre les données collectées sur l'appareil et dans un système de stockage en ligne (Cloud GROHE Ondus).

La surveillance continue permet d'identifier rapidement les fuites, et la coupure automatique ou les avertissements transmis par smartphone aident à minimiser un dégât des eaux.

La conception du système ne permet pas une garantie de protection à 100 % contre les dégâts des eaux.

GROHE Sense Guard mesure la consommation d'eau quotidienne et l'enregistre sous la forme d'un schéma de consommation. À partir de ces informations, GROHE Sense Guard peut réagir aux situations inhabituelles.

Il existe différents types de divergences possibles :

- Rupture d'une canalisation : Débit d'eau anormalement élevé dans GROHE Sense Guard. L'alimentation en eau est immédiatement coupée et une notification push est envoyée sur le smartphone connecté.
- Consommation d'eau inhabituelle : Si une quantité d'eau inhabituellement importante est tirée ou si aucun débit n'est constaté pendant plusieurs heures, une notification push est envoyée sur le smartphone connecté. La consommation est pour cela continuellement surveillée et des tests supplémentaires sont réalisés plusieurs fois par jour.
- Micro-fuite : Une petite quantité d'eau fuit et une notification push est envoyée au smartphone. Le test de micro-fuite a lieu toutes les 24 heures. Une notification est également envoyée au cas où une mesure ne peut pas être prise complètement à plusieurs reprises. Les résultats des mesures peuvent être influencés par les caractéristiques du système de conduit ou par des opérations de soutirage simultanées. La vitesse de détection dépend du profil de consommation antérieur du ménage, de la longueur et de la qualité du système de tuyauterie, ainsi que du débit et de la pression de l'eau. Pour augmenter la vitesse de détection des fuites, il est possible d'ajouter un capteur d'inondation (disponible dans la gamme de produits GROHE).

En cas d'inondation, ce dernier émet un signal d'alarme visuel et sonore, signale l'événement à l'application GROHE ONDUS et à GROHE Sense Guard, ce qui déclenche automatiquement l'arrêt de l'alimentation en eau. Cela requiert néanmoins une connexion stable à Internet pour les deux appareils.

Conditions de service

Sources de perturbations

L'émetteur-récepteur fonctionne sur la bande de fréquence ISM (2,4 GHz). L'installation à proximité d'appareils utilisant le même type de canal (par ex. dispositifs WLAN, composants HF, etc. [voir documentation du fabricant !]) doit être évitée.

Obstacles/barrières

En cas d'utilisation dans des conditions difficiles, dans des bâtiments/pièces avec des murs en béton armé, en acier et à cadre métallique, ou à proximité d'obstacles (par ex. meubles) en métal, la réception radio peut être perturbée et interrompue. Si nécessaire, raccorder un répéteur WLAN au routeur principal afin d'augmenter la portée du signal.

Caractéristiques techniques

- Pression dynamique : mini. 0,05 MPa / recommandée 0,1–0,5 MPa
- Pression de service : 1 MPa max.
- Pression d'épreuve : 1,6 MPa
- Débit : 2–85 l/min
- Température de l'eau : 3 °C–40 °C
- Température ambiante : 3 °C–40 °C
- Alimentation électrique : CC 12 V 2,5 A
- Puissance : 30 W

Pour se conformer au niveau sonore, installer un réducteur de pression lorsque la pression statique est supérieure à 5 bars.



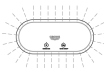
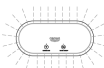
Données d'essai électroniques

- Classe de logiciel : A
- Degré de salissure : 2
- Tension nominale de choc : 2 500 V
- Température de l'essai de dureté à la bille: 100 °C

Le contrôle de la compatibilité électromagnétique (contrôle des émissions de parasites) a été effectué avec la tension nominale et le courant nominal.

États de fonctionnement

Les différentes LED de GROHE Sense Guard indiquent l'état de fonctionnement actuel :

	LED	Signification
	Bleu	- Aucune fuite - Électrovanne ouverte - État normal du système
	Éteinte	- Électrovanne fermée
	Bleu (clignote)	La connexion au WLAN est en cours (Hotspot)
	Bleu	Raccordé au WLAN (liaison établie vers le Cloud)
	Orange (clignote)	Connexion au Cloud interrompue
	Vert	Mise à jour en cours d'installation
	Rouge	Détection d'une erreur (voir tableau de la FAQ sur le site Internet)

Contrôle de fonctionnement

Il est recommandé d'effectuer un contrôle de fonctionnement tous les six mois.

guard-installation.grohe.com/test

Nettoyage et maintenance

Tamis et joint, réf. 48 358, cf. p. 1 et p. 3 fig. 1–3.

Consignes d'élimination



Ce symbole indique que les appareils **ne doivent en aucun cas** être jetés avec les déchets ménagers. Ils **doivent impérativement** être mis au rebut séparément conformément aux réglementations locales.

Le fabricant n'assume aucune responsabilité pour tout dommage accidentel, consécutif, spécial, punitif ou exemplaire résultant de l'utilisation de ce produit.

E

El sistema y la instalación deben cumplir con las reglamentaciones nacionales, estatales y locales aplicables, incluidas, en particular, las normas y reglamentaciones aplicables para el agua potable.

Todo el cableado debe ser realizado por un electricista autorizado de acuerdo con el código eléctrico nacional y todos los demás códigos aplicables.

Un instalador especializado y cualificado debe encargarse de la instalación.

Se rechaza toda responsabilidad por los daños que ocasione el incumplimiento de las instrucciones de uso e instalación.



Información de seguridad

Indicaciones de peligro

- Evitar peligros derivados de un cable de conexión dañado. En caso de daños, el fabricante, el servicio de postventa o una persona con la cualificación correspondiente deberá sustituir el cable de conexión.

Indicaciones generales

- No es posible instalar GROHE Sense Guard si hay una instalación técnica de seguridad conectada al suministro de agua principal del domicilio, como por ejemplo, una instalación antiincendios de aspersores.

Si estuviera establecida la protección frente a fugas y, al mismo tiempo, se quiere conservar el sistema por aspersores, se deberán ramificar las tuberías de alimentación antes de instalar GROHE Sense Guard.

- Aparte del manual de instrucciones, debe tenerse en cuenta la normativa establecida de la técnica, así como la normativa técnica especializada relativa a trabajos de seguridad y profesionales.

Indicaciones sobre la instalación

- Se debe observar la ecualización de potencial cuando se instalan tubos de cobre.
- La instalación solo puede efectuarse en recintos protegidos contra las heladas.
- Antes de la instalación, debe interrumpirse la alimentación de agua.
- Después de la instalación se debe comprobar si de la toma de agua de casa sigue saliendo agua caliente mediante el accionamiento manual de bloqueo de agua fría con ayuda de GROHE Sense Guard (véase página 4). La salida se puede impedir con grifería termostática GROHE.
- La instalación y el uso de GROHE Sense Guard están sometidos a las disposiciones nacionales vigentes.

Indicaciones sobre el suministro de corriente

- En el supuesto de corte de corriente, la válvula permanece abierta.
- La fuente de alimentación enchufable solo se puede utilizar dentro de recintos cerrados.
- **No** mojar el conector de enchufe directa ni indirectamente durante la limpieza.
- La alimentación de tensión debe poder conmutarse por separado.

Notas sobre el funcionamiento

- SE REQUIERE instalar un filtro de agua doméstico y / o un colador en Y aguas arriba de la GROHE Sense Guard para recoger la basura excesiva del suministro de agua que entra al hogar. Instalación del filtro de agua doméstico y / o del colador en Y evitará que los desechos excesivos obstruyan la pantalla en la entrada del dispositivo. En el caso de que no haya filtro de agua de la casa o filtro en Y, Grohe requiere una limpieza regular de la pantalla para evitar una menor presión de agua debido a obstrucciones en la pantalla.
- La pantalla debe instalarse en la entrada de la GROHE Sense Guard para evitar daños a la válvula solenoide dentro de la GROHE Sense Guard. Si no se instala la pantalla se ANULARÁ la garantía.
- El agua que se va a usar debe cumplir la Directiva USA, Canada i Mexico de agua potable. Antes de usar agua de otra calidad o con aditivos, se debe consultar al fabricante.
- El GROHE Sense Guard solo se puede usar como se describe en el manual de instrucciones. Un uso distinto o que exceda el uso descrito constará como uso indebido.
- GROHE Sense Guard solo se usará en el estado correcto de la técnica, así como de acuerdo a lo establecido y teniendo en cuenta la seguridad, los riesgos y el manual de instrucciones.
- Instar la reparación inmediata de los fallos de funcionamiento.
- Utilizar **solamente piezas de recambio y accesorios originales**. La utilización de otras piezas conlleva la nulidad de la garantía y del marcado cTÜVus, cUPC i NSF marking, además de que puede causar lesiones.

Notas sobre el software y la conexión a internet:

- Para garantizar un buen funcionamiento con todas las funciones del equipo, el smartphone que se use y GROHE Sense Guard deben tener conexión a Internet y el equipo debe haberse instalado previamente mediante la aplicación GROHE ONDUS. De lo contrario, el equipo no se configurará y no se podrán enviar mensajes de advertencia.

GROHE adopta todas las medidas necesarias para garantizar un uso seguro y correcto. En caso de que terceros quieran acceder de forma intencionada, GROHE recomienda instalar el firmware más actual o interrumpir el suministro de corriente del equipo hasta que GROHE le facilite más información.

Uso conforme a lo previsto

GROHE Sense Guard se ha diseñado para el uso en agua potable fría hasta una temperatura máxima del agua de 104 °F.

GROHE Sense Guard solo se puede montar en instalaciones de agua potable, en viviendas unifamiliares y pisos con entrada de agua independiente (tener en cuenta la norma. GROHE Sense Guard cumple los requisitos de IAPMO IGC 349-2017.

Aplicación GROHE ONDUS y conexión a Internet

Un GROHE Sense Guard conectado a Internet vía WLAN podrá integrarse y configurarse en la aplicación GROHE ONDUS. A través de esa aplicación, se pueden enviar avisos y alarmas mediante notificaciones push.

Se necesita un router WLAN con acceso a Internet (2,4 GHz, IEEE 802.11b/g/n).

Solo se pueden usar canales inalámbricos, WLAN; 1-11.

Instalación de la aplicación:

Apple:

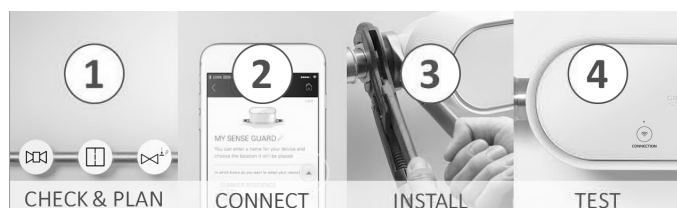


Android:



En caso de que se requiriera la actualización de la aplicación o de los firmware de los equipos, el smartphone deberá estar muy cerca del GROHE Sense Guard. Así, se podrán controlar y solucionar posibles interrupciones del funcionamiento.

Instalación



Antes de la instalación, repase la guía de instalación individual y lea las instrucciones cuidadosamente.

Guía de instalación individual:



guard-installation.grohe.com

Instrucciones de manejo completas y más información técnica:



www.grohe.com/tpi/sense-guard

Instalación: véase la página 2 o la 3

Antes de la instalación, debe interrumpirse la alimentación de agua.

Estos sistemas pueden estar debajo de otro reductor de presión, intensificador de presión o descalcificador.

Si no se tiene en cuenta la recomendación anterior, la medición de microfugas del GROHE Sense Guard puede verse afectada.

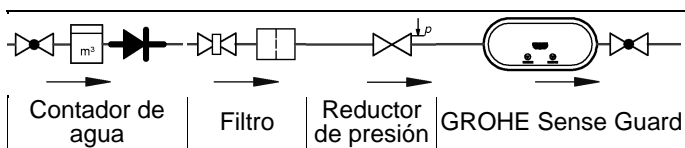
GROHE recomienda montar GROHE Sense Guard junto con la sujeción 22 603, incluida en el programa de productos de GROHE.

Es imprescindible utilizar el tamiz y la junta suministrados, véase la página 2, fig. [1] o la página 3, fig. [1] y [2]. El uso de otros materiales, como el cáñamo, produce fugas. Observar el orden indicado para la fijación de las tuercas, véase la página 3, fig. [1] a [3].

Observar siempre la dirección de montaje.

Antes y después de GROHE Sense Guard, se debe instalar una válvula de cierre.

Si hay más componentes instalados, observar la secuencia de montaje de los demás componentes:



Para otros componentes como el ablandador de agua, observe la guía de instalación individual para la planificación.

La protección frente a fugas se establece al conectar GROHE Sense Guard a la tensión de red.

GROHE Sense Guard no puede interrumpir la alimentación de agua si carece de suministro de corriente.

Campo de aplicación

GROHE Sense Guard verifica constantemente la presión, el caudal y la temperatura del agua y guarda datos recopilados en el equipo y en la memoria en línea (en la nube de GROHE Ondus).

Gracias al control continuo las fugas se detectan a tiempo y con el bloqueo automático o los avisos al smartphone se podrán reducir los daños del agua.

No se puede garantizar el 100 % de protección del sistema ante daños del agua.

GROHE Sense Guard detecta el consumo de agua diario y lo guarda como esquema de consumo. Basado en esto, GROHE Sense Guard reacciona ante situaciones fuera de lo habitual.

Hay diferentes tipos de divergencias posibles:

- Rotura de tubería: una cantidad de agua desmesurada inunda GROHE Sense Guard. La alimentación de agua se bloqueará inmediatamente y se enviará una notificación push al smartphone conectado.
- Consumo de agua fuera de lo habitual: si al abrir el grifo saliera más agua de lo habitual o hubiera pequeñas inundaciones pasadas varias horas, se enviaría una notificación push al smartphone conectado. Para ello, se medirá constantemente el consumo y se efectuarán comprobaciones adicionales a diario.
- Microfugas: se escapan pequeñas cantidades de agua por lo que te llega a tu smartphone conectado al sistema una notificación push al respecto. La prueba de microfugas se realiza una vez cada 24 h. Si en repetidas ocasiones la medición no se pudiera realizar por completo, te avisaríamos. El resultado de la medición puede verse influido por las características del sistema de tuberías o por procesos de roscado superpuestos. La velocidad de la detección depende del tipo de consumo doméstico anterior, largo y tipo del sistema de tuberías y del caudal y la presión del agua. Para aumentar la velocidad de detección de fugas se puede usar también un sensor de inundación (disponible en el programa de productos de GROHE). En caso de inundación de agua, este emitirá una señal de alarma acústica y óptica y notificará la incidencia registrada a la aplicación GROHE ONDUS y al GROHE Sense Guard donde se bloqueará automáticamente la alimentación de agua. Para ello, debe garantizarse que la conexión a Internet es estable en ambos equipos.

Condiciones de funcionamiento

Fuentes de interferencias

La unidad de emisor/receptor funciona en una banda de frecuencia ISM (2,4 GHz). Se debe evitar realizar la instalación cerca de equipos con la misma banda de frecuencia (por ejemplo, equipos de red inalámbrica, componentes HF, etc. [observar la documentación del fabricante]).

Obstáculos/barreras

Durante el funcionamiento en condiciones ambientales desfavorables, en edificios o salas con paredes de hormigón armado, marcos de hierro y acero o cerca de obstáculos (p. ej., muebles) de metal, la recepción por radio se puede ver afectada o interrumpida.

Si procede, debe conectarse un repetidor inalámbrico WLAN al rúter principal para aumentar el alcance de la señal de radio.

Datos técnicos

- Presión de trabajo: mín. 7.25 psi/
recomendada 14.5 - 72.5 psi
- Presión de utilización: máx. 145 psi
- Presión de verificación: 232 psi
- Caudal: 0.5 - 22.5 gpm
- Temperatura del agua: 37 °F – 104 °F
- Temperatura ambiental: 37 °F – 104 °F
- Alimentación de tensión: 12 V CC 2,5 A
- Potencia: 30 W

Si la presión en reposo es superior a 72.5 psi, se recomienda instalar un reductor de presión para respetar los valores de emisión de ruidos.



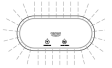
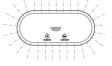
Datos de comprobación electrónica

- Clase de software: A
- Clase de contaminación: 2
- Sobretenión transitoria nominal: 2500 V
- Temperatura del ensayo de dureza: 212 °F

La comprobación de la compatibilidad electromagnética (comprobación de emisión de interferencias) se ha llevado a cabo con la tensión nominal y la corriente nominal.

Estados operativos

La iluminación de GROHE Sense Guard indica el estado operativo actual:

	LED	Significado
	Azul	- No hay fugas - Electroválvula abierta - Estado del sistema normal
	Apagado	- Electroválvula cerrada
	Azul (parpadeante)	La conexión WLAN se ha establecido (Hotspot)
	Azul	Conexión inalámbrica por WLAN (conexión con la nube)
	Naranja (parpadeante)	La conexión con la nube se interrumpe
	Verde	Se instalará la actualización
	Rojo	Se ha detectado un error (véase la tabla en la sección de preguntas frecuentes de la página web)

Comprobación de funcionamiento

Se recomienda llevar a cabo una comprobación de funcionamiento cada seis meses.

guard-installation.grohe.com/test

Limpieza y mantenimiento

Tamiz y junta, número de pedido 48 358, véase página 1 y página 3, fig. 1-3.

Indicación sobre la eliminación de desechos



Los equipos con este marcado **no deben** desecharse con la basura doméstica, sino que **deben** eliminarse por separado de acuerdo con las normas de cada país.

El fabricante no asume ninguna responsabilidad por daños incidentales, consecuentes, especiales, punitivos o ejemplares por el uso de este producto.

